

Technical specification sheet

Rockbox units

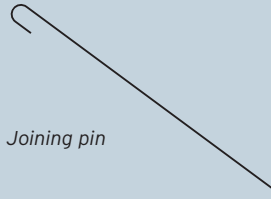
Unlined Concertainer unit for general use as a welded wire fabric gabion.

General specifications

Welded wire fabric gabion to ASTM A 974-97.

Lids and bases are supplied with all Rockbox units. Lids and bases are pre-fitted to the units at the factory. Coils are supplied to close lids and bases on site.

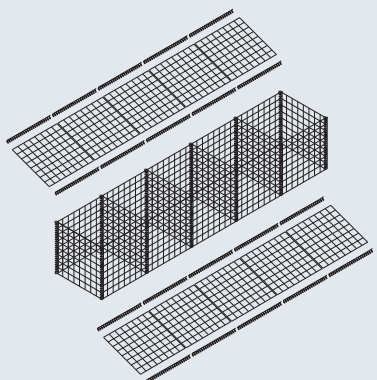



Joining pins are supplied to join units together.

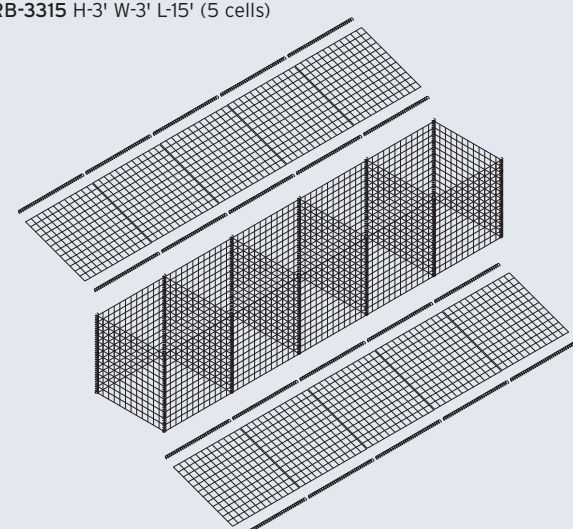





Joining pin

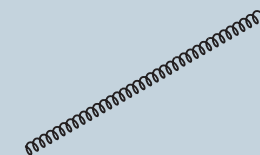
Welded wire mesh	
Wire	
Wire gauge	8.5 American SWG, steel
Wire diameter ¹	0.155"/3.937mm
Tensile strength of wire	80 - 110 ksi 550 - 760 kPa
Corrosion Protection	Zn-5Al-MM to ASTM A 856A/A 856M-03 minimum coating weight 0.8oz/ft ² / 240g/m ²
Mesh	
Wire spacing	3" x 3"
Tolerance on line wire spacing	+/- 1/8"
Cross wire straightness across test panel	limit of deviation 1/4" in 72"
Mesh strength	70% of wire tensile strength
Panels	
Squareness	in 4' diagonals shall not vary by more than 5/8"
Flatness	in 6' not more than 2" from plane

¹Wire diameter is nominal

2' high units	
RB-2210 H-2' W-2' L-10' (5 cells)	
	
RB-224 H-2' W-2' L-4' (2 cell)	RB-226 H-2' W-2' L-6' (3 cell)
	
RB-228 H-2' W-2' L-8' (4 cell)	
	

3' high units	
RB-3315 H-3' W-3' L-15' (5 cells)	
	
RB-336 H-3' W-3' L-6' (2 cell)	RB-339 H-3' W-3' L-9' (3 cell)
	
RB-3312 H-3' W-3' L-12' (4 cell)	
	

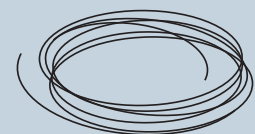
Coils are supplied to close all lids and bases. 17 1/2" bracing ties are supplied. Lacing wire is supplied to join courses on site.



Coil



17 1/2" bracing tie



Lacing wire

The values given are indicative and correspond to average results obtained in our suppliers' laboratories and in testing institutes. The right is reserved to make changes without notice at any time.